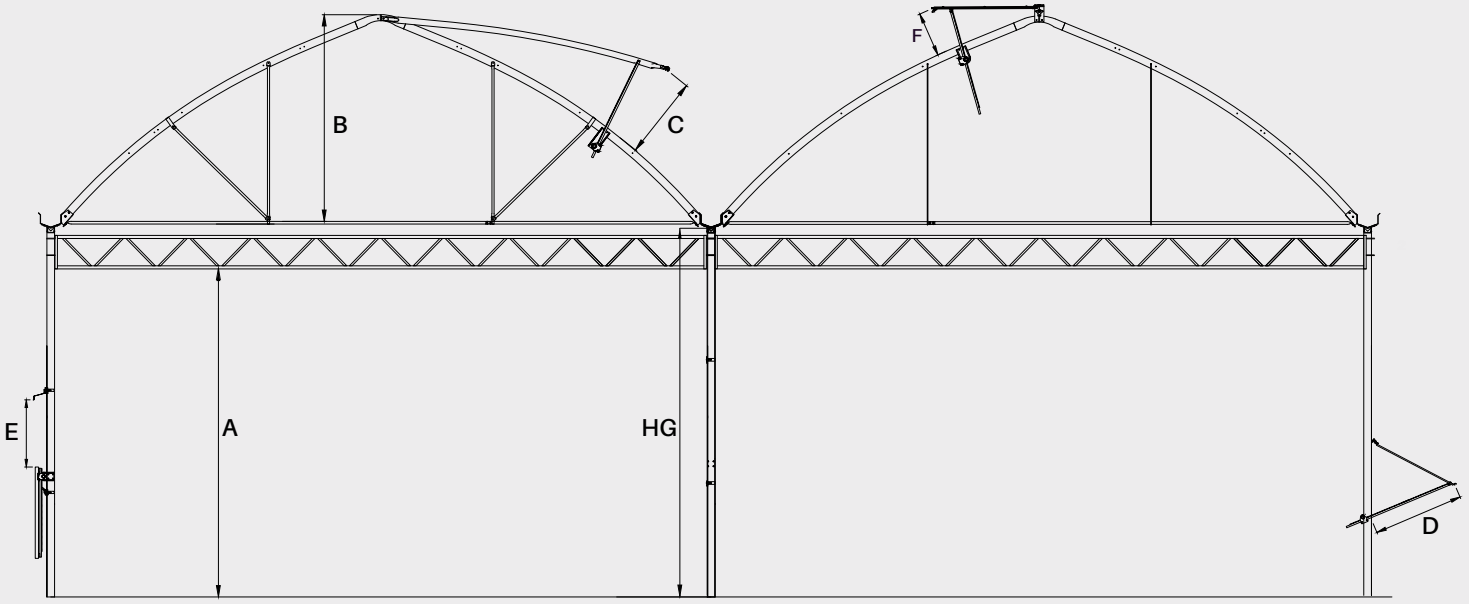


LUMINOSA

GUTTER CONNECTED GREENHOUSES

Ideal for growers looking for a structure that maximizes growing space and profitability while optimizing natural light and air circulation, perfect for multi-variety production.

PRODUCT SPECIFICATIONS



LUMINOSA	21'4"	24'	25'	26'3"	28'	30'	31'6"	36'	
HEIGHT UNDERGUTTER (HG)	12', 14', 16', 18', 20'								
INSIDE CLEARANCE UNDER TRUSS(A)	HG - 23" (15" TRUSS)					N/A		N/A	HG - 29 3/4" (22" TRUSS)
	HG - 28" (20" TRUSS)								HG - 38 3/4" (31" TRUSS)
GABLE HEIGHT(B)	7' 3"	7' 10"	8' 1"	8' 4"	8' 10"	9' 3"	9' 7"	10' 3"	
ARCH TUBE DIMENSIONS	1 5/8" x 2 3/4" or 2" x 3 9/16" or 2 3/4" x 4 5/16"							2 3/4" x 4 5/16"	
COLUMN POSTS DIMENSIONS	3 1/2" x 3 1/2" or 4" x 4"								

VENTS DIMENSIONS								
ROOF VENT OPENING (F) SIMPLE 4' / DOUBLE 8'	34 1/2"							
MID-ROOF VENT (C)	38 1/2"	37 5/8"	37 3/8"	50 5/8"	49 1/4"	48 3/4"	48 1/2"	60 3/8"
SIDE PANEL HEIGHT (D)	39 1/2"							
GUILLOTTINE PANEL HEIGHT (E)	37"							
ROLL-UP VENT	96"							

OPTIONS

FOUNDATIONS

- Anchor plates for concrete
- Sonotube foundation

VENTILATION

- Single/double panel
- Mid-roof panel
- Full or partial side roll-up
- Side roll-up with polycarbonate wall
- Mechanical ventilation (cooling pad)
- Side panel

COVERINGS

- Double polyethylene films (7.2 mil)
- 8 mm polycarbonate
 - White
 - Clear

CUSTOMIZATION

- Polyethylene, polycarbonate, or glass ends
- Integration with our Ovaltech greenhouse
- Integration with an existing building

EQUIPMENTS

- Growing tables
- Irrigation
- Aquaboom watering system (robot)
- Heating
- Ventilation
- Climate control
- Lighting
- Insects net
- Doors