

DB SERIES

The DB series' modular buildings meet the specific needs of industrial, municipal and agricultural projects, with a double arch structure that provides a durable and economical solution.

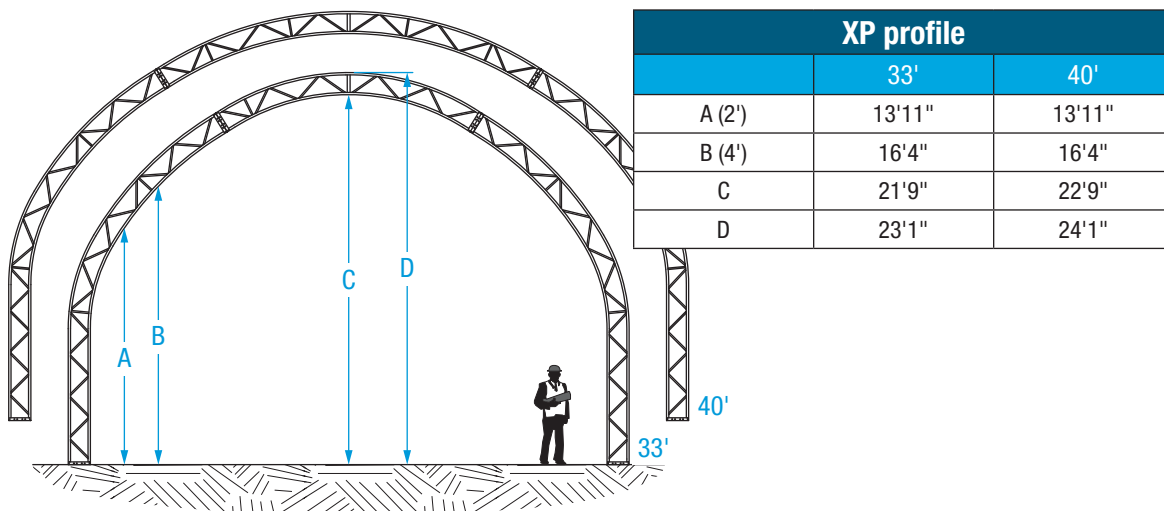
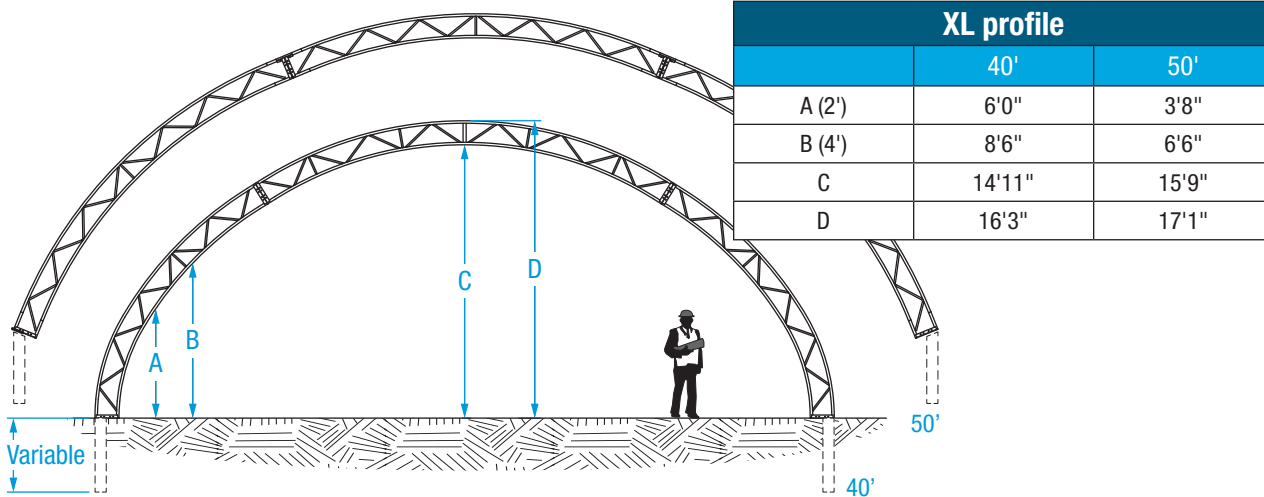


XP profile, width of 80'

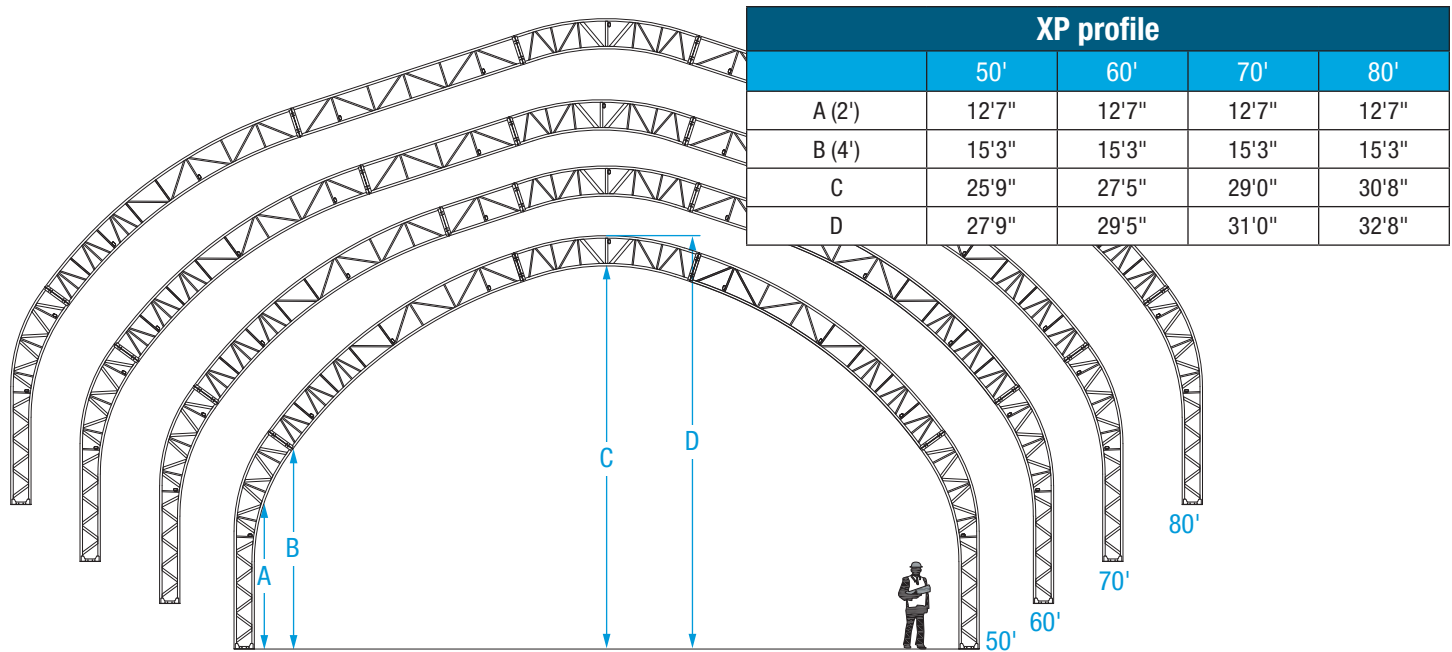
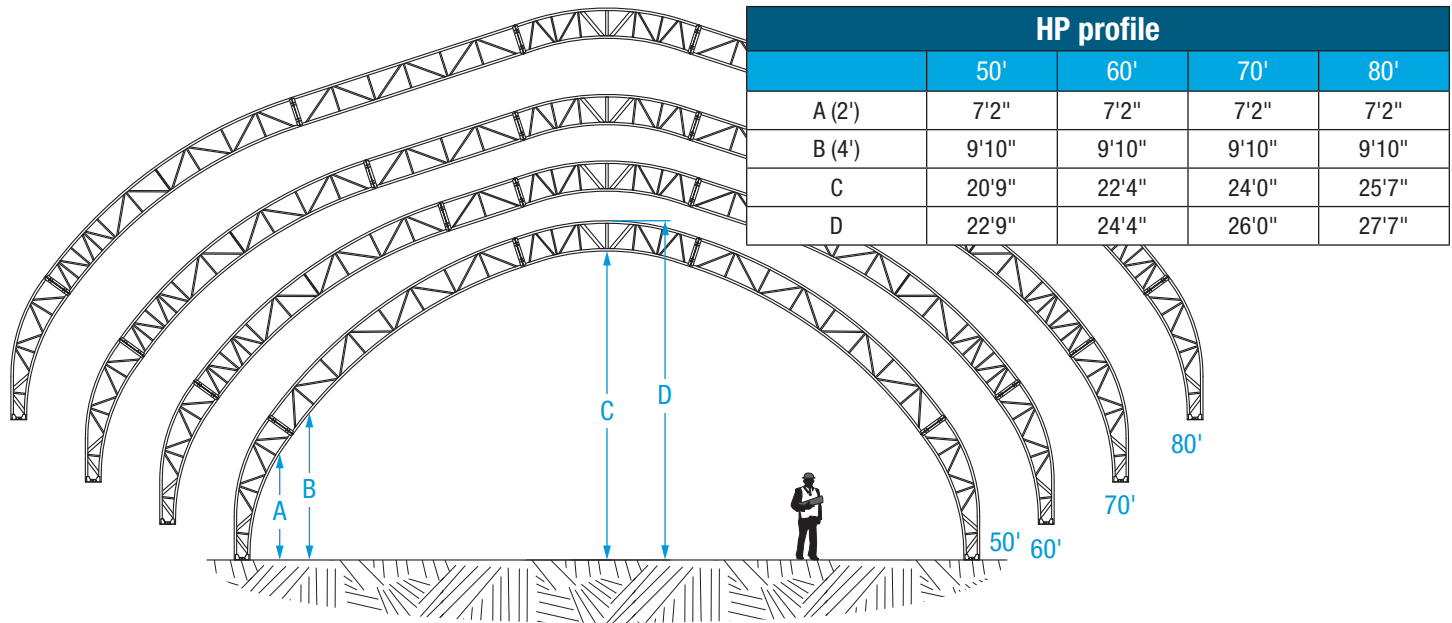


XP profile, width of 40'

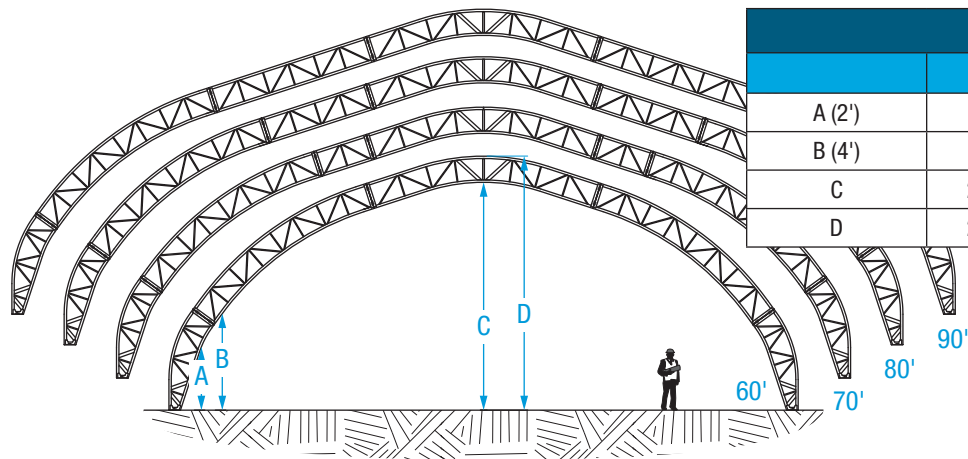
Double arch diameter: 16"



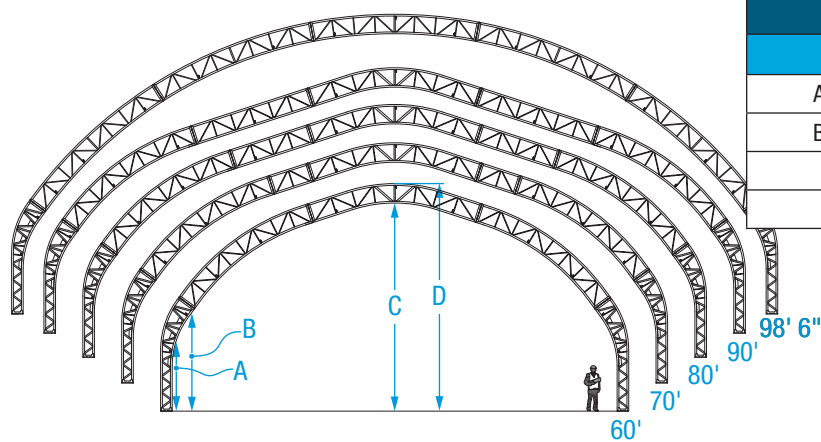
Double arch diameter: 24"



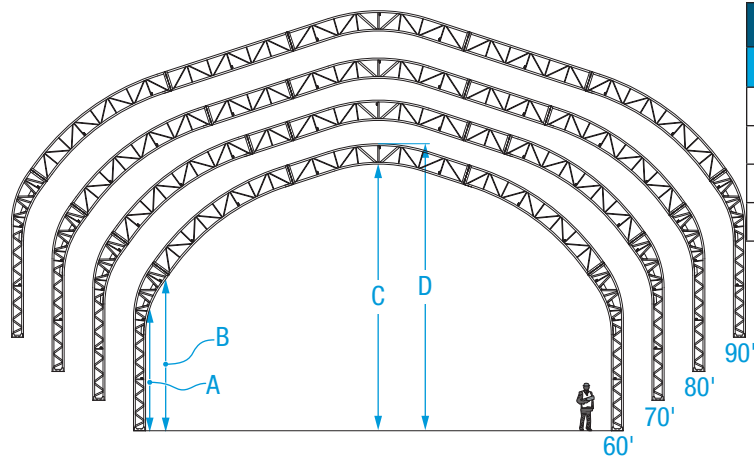
Double arch diameter: 30"



HP profile				
	60'	70'	80'	90'
A (2')	6'1"	6'1"	6'1"	6'1"
B (4')	9'3"	9'3"	9'3"	9'3"
C	21'9"	23'5"	25'0"	26'8"
D	24'3"	25'11"	27'6"	29'2"



XP profile					
	60'	70'	80'	90'	100'
A (2')	11'9"	11'9"	11'9"	11'9"	11'9"
B (4')	14'8"	14'8"	14'8"	14'8"	14'8"
C	26'9"	28'5"	30'0"	31'8"	36'0"
D	29'3"	30'11"	32'6"	34'2"	38'6"



XXP profile				
	60'	70'	80'	90'
A (2')	17'1"	17'1"	17'1"	17'1"
B (4')	20'3"	20'3"	20'3"	20'3"
C	32'9"	34'5"	36'0"	37'8"
D	35'3"	36'11"	38'6"	40'2"

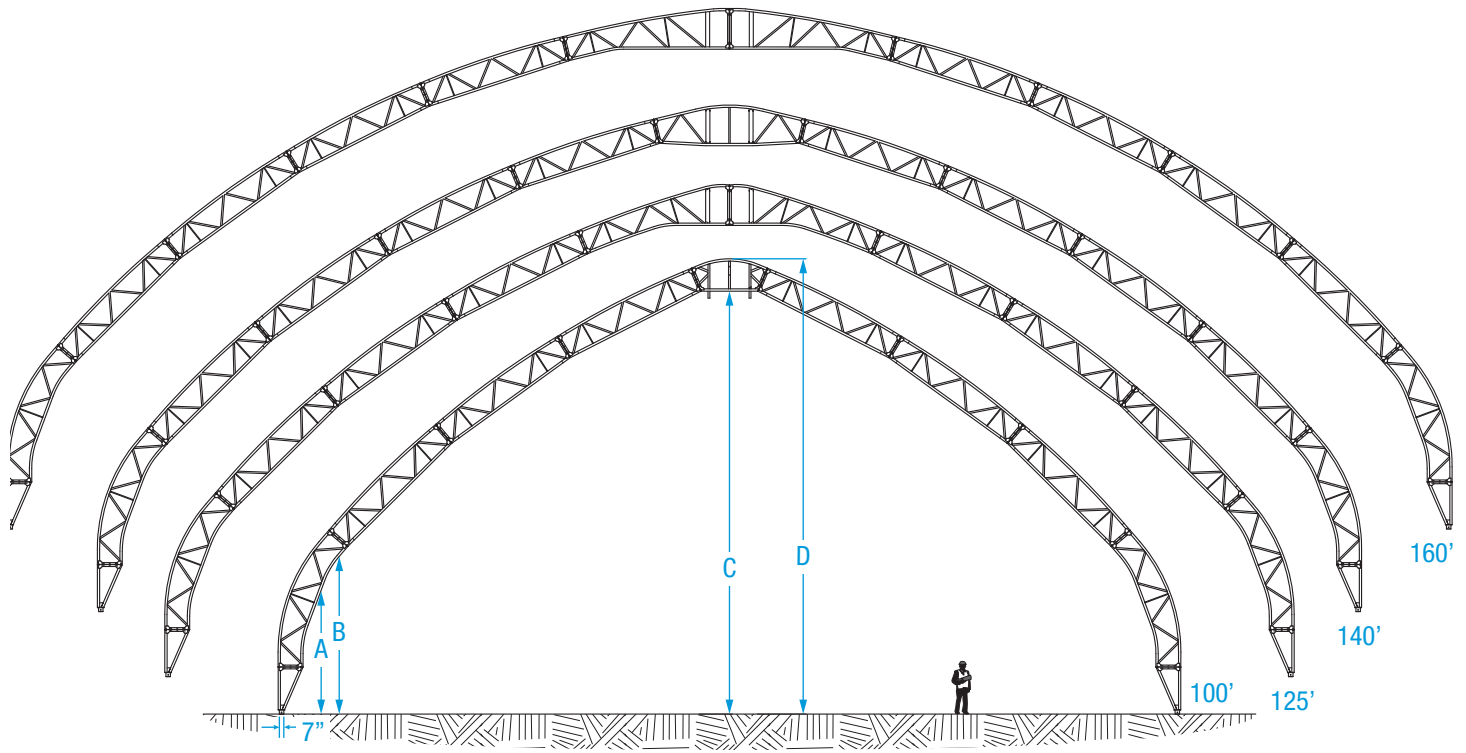


XP profile, width of 80'

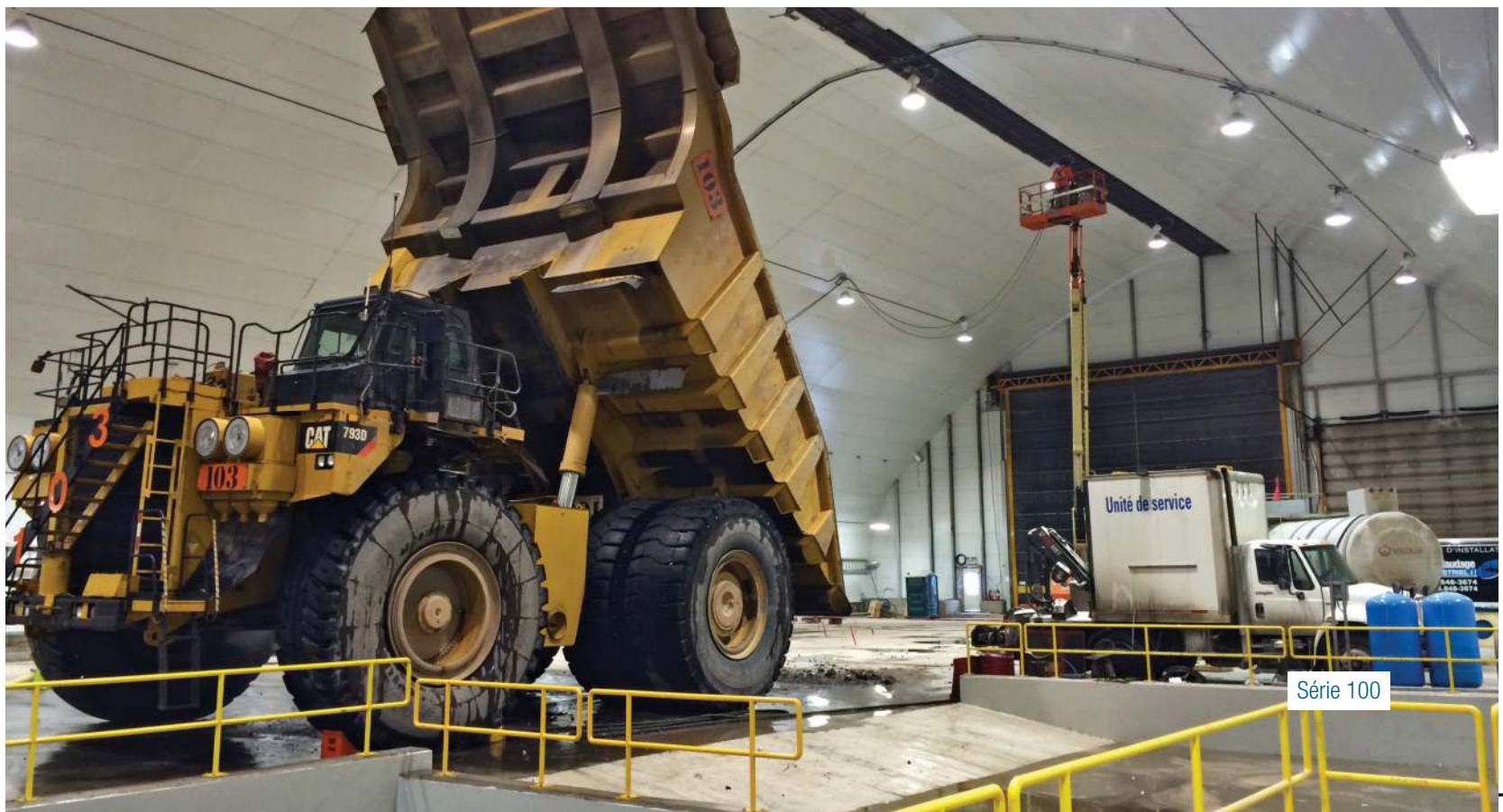


XXP profile, width of 80'

Double arch diameter: 33"



100 series				
	100'	125'	140'	160'
A (2')	13'9"	13'9"	13'9"	13'8"
B (4')	17'6"	17'6"	17'6"	17'5"
C	46'11"	50'0"	51'8"	53'1"
D	50'6"	54'7"	56'2"	57'7"



Série 100